

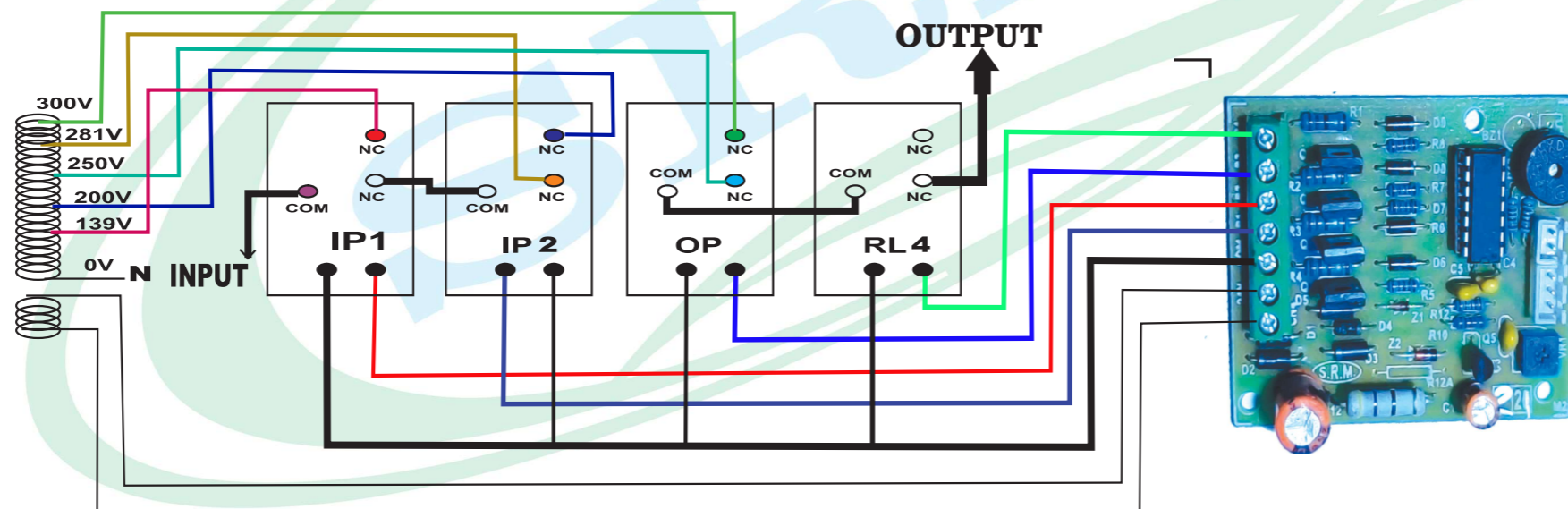


STABILIZER KIT- 2 PRESET-B90 -HTEK MODEL- 5 STEP 90V-295V

Input AC Voltage range of 90V to 295V AC.	Intelligent Output Time Delay for protection of load connected.
Regulated output voltage to ensure voltage in range 195 - 245 VAC.	Mains under voltage and over voltage cut off to protect the connected load. (U/V < 175V , O/V > 265V)
Voltage correction within 10 -20 mSec.	Minimum wiring required,
Relay operation near zero crossing of current to ensure reliability and fault free operation.	ONLY 1 CUTOFF SET FOR ALL 5 STEP SETTING

- 1..SINGAL SETTING
- 2- LT BASED OPERATE (NO NEED EXTRA TR) TRANSFORMER
- 3- EASY WIRING & INSTALLATION
- 4- INBUILT HIGH & LOW VOLTAGE CUTOFF WITHOUT ANY KIT & SETTING
- 5--INBUILT TIMER {TDR}
- 6- RELIABLE HIGH QUALITY BRANDED COMPONENT
HIGH QUALITY BRANDED SOLDER 63/37 GRADE /HIGH QUALITY CNC MAKE BASED PCB
- 7-ACCURATE HIGH QUALITY FULL TESTED

Transformer Wiring and Diagram details :-



जलने-टूटने और कम्पोनेन्ट निकले सर्किट की कोई गारण्टी नहीं है।