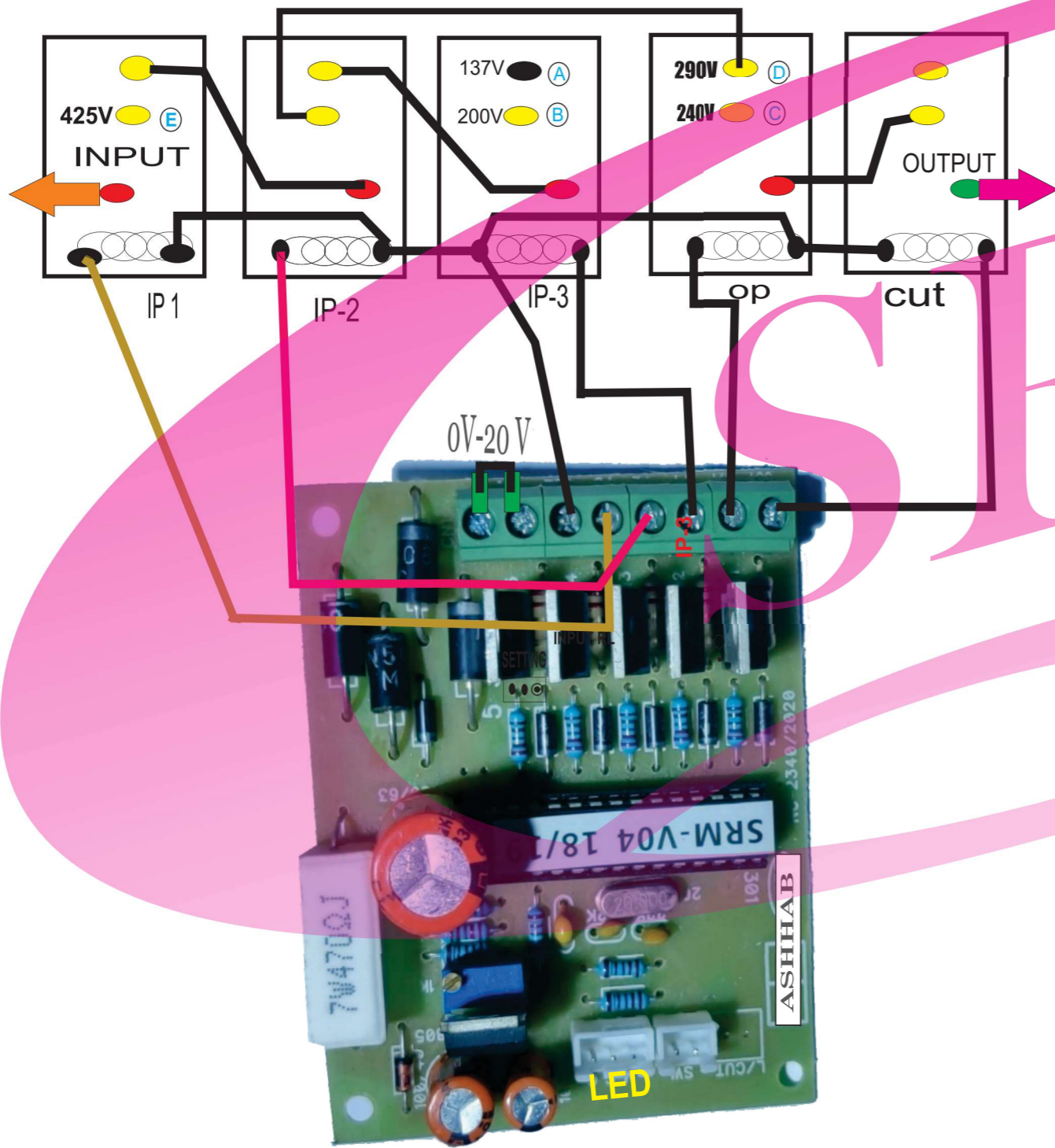


90-440V

ALL 24V RLY

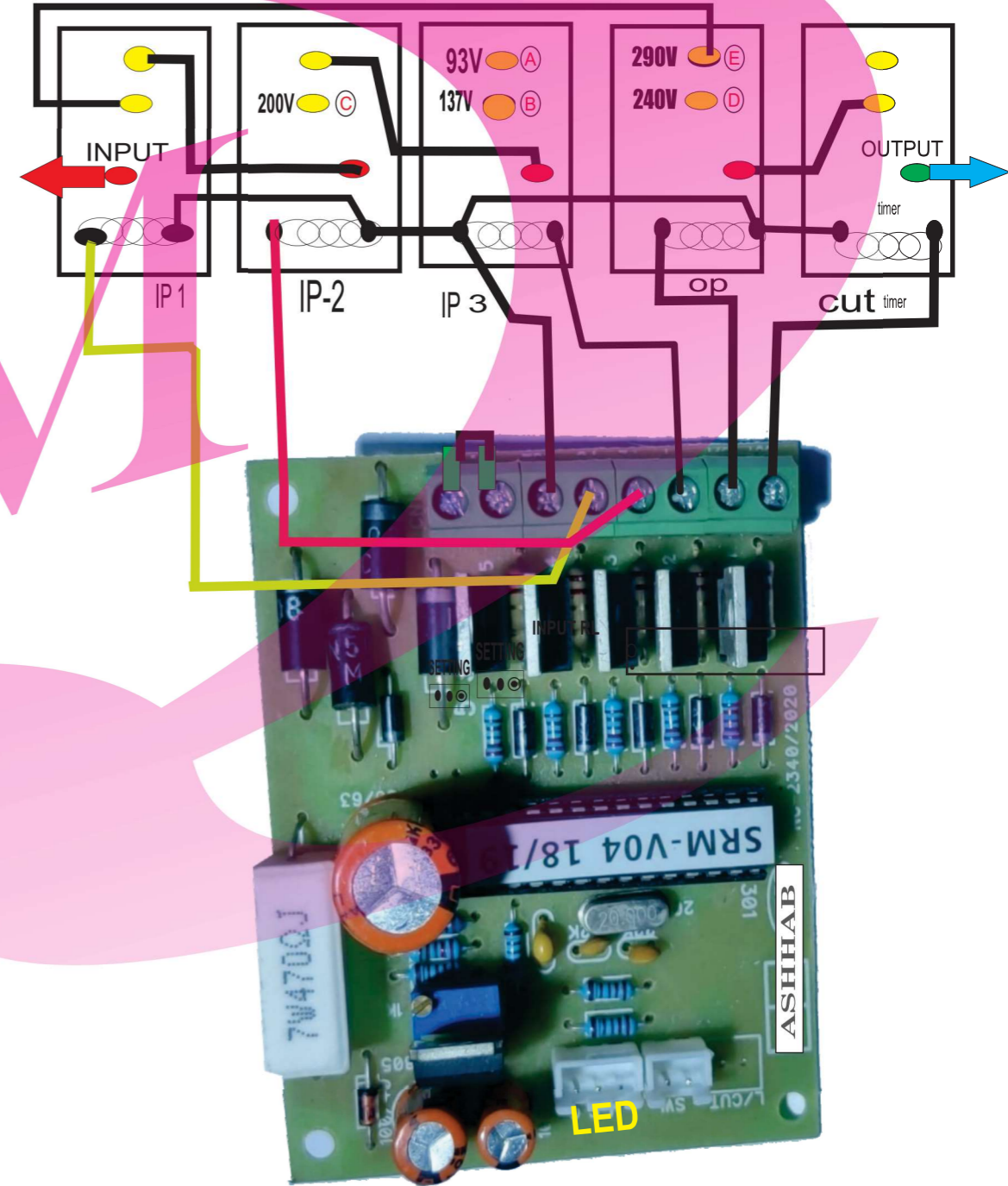


TR DETAIL =0-137v-200- 240v-290v-425v -Lt 24v

NO WARRANTY BURN & DAMAGE CARDS

60 -295v 1PH

ALL 24V RLY



TR DETAIL =0-93v-137v-200-v 240-290v -Lt 20v

NO WARRANTY BURN & DAMAGE CARDS