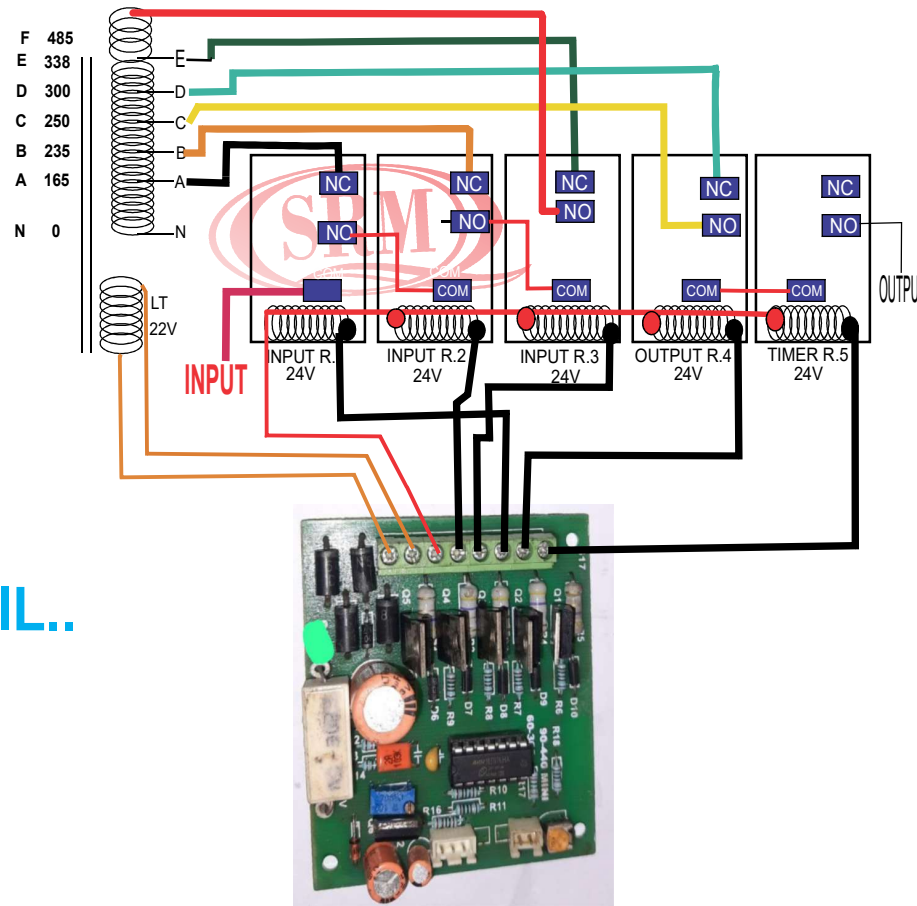


SRM-110V-520V ALL 24V ALL RLY

Micro controller based T
Technology



110V-520V

TR.VOLT DETAIL..

165V

235V

250V

301V

338V

485V

LT--17V— FOR 24V RLY@200V OUTPUT